



ELECTRIC PROFESSIONAL SLICERS

S.R.L

VIA GIOVANNI XXIII, 11 — 22072 CERMENATE (COMO) ITALY — TEL.: +39 031 722 819 — FAX: +39 031 722 825

www.rgv.it — E-mail: info@rgv.it

E-mail USA e CANADA: ferzuc@yahoo.com — E-mail ARGENTINA: expoezeq@arnet.com.ar

SERIE OLIMPIA - Mod. 22 - Mod. 25 removable sharpener



TECHNICAL CHARACTERISTICS

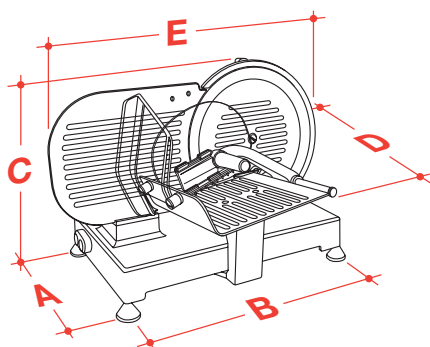
Cast aluminium structure **lacquered base** ● Tempered professional blade

Blade cover, tray and bulkhead: in anodized aluminium ● Fixed blade protection ring

Shaft holding the blade mounted on a double ball-bearing ● Protection on the tray in transparent material

Professional ventilated motor 230V - 50Hz ● Slicing thickness up to 14 ÷ 16 mm

Different voltage by request ●



| MOD. | 22 | 25 | |
|---------------------------|------|----------------|----------------|
| A mm | 263 | 263 | |
| B mm | 415 | 415 | |
| C mm | 325 | 355 | |
| D mm | 400 | 400 | |
| E mm | 460 | 490 | |
| Blade diameter (Ø) | mm | 220 | 250 |
| Motor power | Watt | 140 | 140 |
| Capacity of cutting about | mm | 230 x 160 | 230 x 180 |
| Carriage stroke | mm | 255 | 255 |
| Gross weight | kg | 13 | 14 |
| Packing dimensions | cm | 45 x 54,5 x 43 | 45 x 54,5 x 43 |
| | m³ | 0,105 | 0,105 |

