



ELECTRIC PROFESSIONAL SLICERS

S.R.L

VIA GIOVANNI XXIII, 11 — 22072 CERMENATE (COMO) ITALY — TEL.: +39 031 722 819 — FAX: +39 031 722 825

www.rgv.it — E-mail: info@rgv.it

E-mail USA e CANADA: ferzuc@yahoo.com — E-mail ARGENTINA: expoezeq@arnet.com.ar

SERIE **AUSONIA**

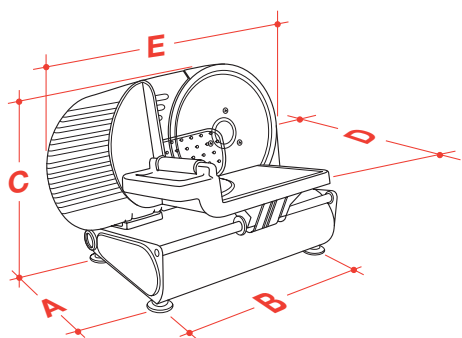
Mod. **190**

Mod. **220**



TECHNICAL CHARACTERISTICS

- Metallic structure
- Precise advancement guide
- tempered steel blade
- Belt drive
- Regulation of slicing thickness from 0 to 14 mm



MOD.	190	220	
A mm	210	210	
B mm	310	340	
C mm	270	300	
D mm	260	260	
E mm	380	400	
Blade diameter (Ø)	mm	190	220
Motor power	Watt	100	130
Capacity of cutting about	mm	130 x 160	155 x 170
Carriage stroke	mm	200	240
Gross weight	kg	5	6
Packing dimensions	cm	29 x 41 x 28	29 x 47 x 31
	m ³	0,035	0,043