



ELECTRIC PROFESSIONAL SLICERS

S.R.L

VIA GIOVANNI XXIII, 11 — 22072 CERMENATE (COMO) ITALY — TEL.: +39 031 722 819 — FAX: +39 031 722 825

www.rgv.it — E-mail: info@rgv.it

E-mail USA e CANADA: ferzuc@yahoo.com — E-mail ARGENTINA: expoezeq@arnet.com.ar



SERIE **LUSSO**

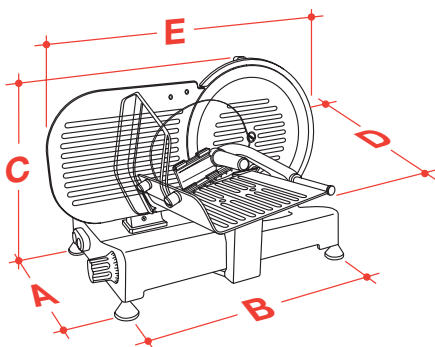
removable sharpener

Mod. **195 GL**



TECHNICAL CHARACTERISTICS

- Cast aluminium structure **lacquered base** ● Tempered professional blade
- Blade cover, tray and bulkhead: in anodized aluminium ● Fixed blade protection ring
- Shaft holding the blade mounted on a double ball-bearing ● Protection on the tray in transparent material
- Professional ventilated motor 230V - 50Hz ● Slicing thickness up to 14 ÷ 16 mm
- Different voltage by request ●



A mm	233
B mm	381
C mm	292
D mm	300
E mm	430

Blade diameter (Ø)	mm	195
Motor power	Watt	110
Capacity of cutting about	mm	200 x 135
Carriage stroke	mm	212
Gross weight	kg	11
Packing dimensions	cm	33 x 47 x 32
	m³	0,05